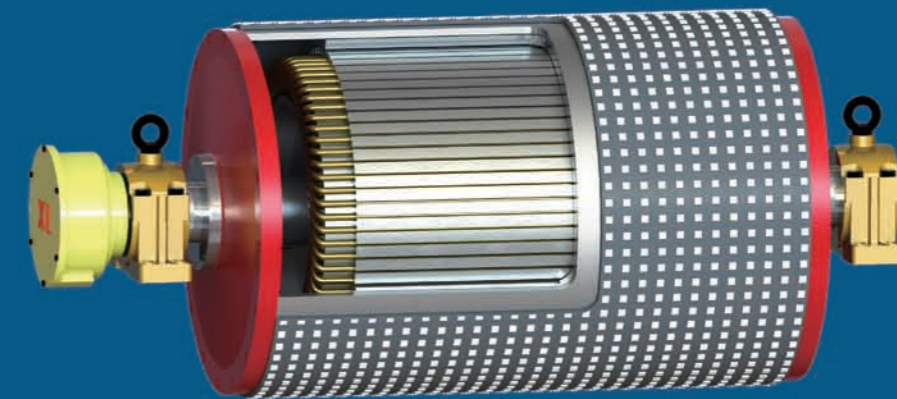
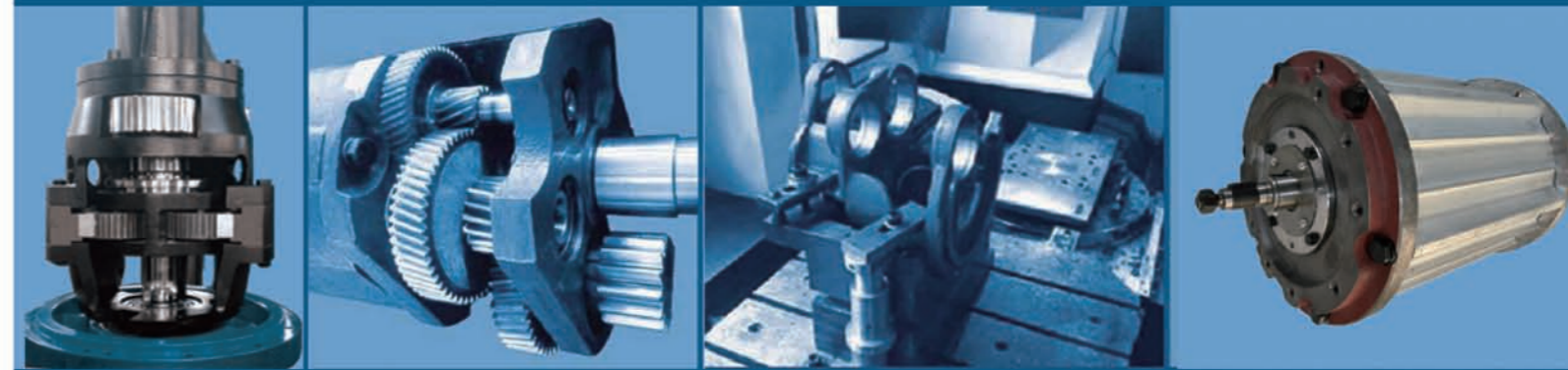


专业的电动滚筒制造商
Professional Manufacturer of Motorized Drum



XINGLI

MOTORIZED DRUM



星力机器
XINGLI MACHINE
湖州电动滚筒有限公司
Huzhou Motorized Drum Co., Ltd.

地址: 浙江省湖州市经济开发区西凤路888号
Address: NO. 888 XIFENG RD., HUZHOUCITY, ZHEJIANG CHINA
销售电话Sales call: 0572-2022227 2111325 13857293144 13757261933
传真Fax: 0572-2059480
邮编 Postal Code: 313000
E-mail: hzdt888@126.com 13757261933@163.com

www.hzdt.com.cn

服务热线 Service Hotline: 0572-2022227

2023

以科技引领未来

TO GUIDE
FUTURE
TECHNOLOGY



星力机器
XINGLI MACHINE
Huzhou Motorized Drum Co., Ltd.

Introduction

企业简介

湖州电动滚筒有限公司是一家研发、生产和销售全系列电动滚筒的专业企业，公司专注于电动滚筒生产制造40余年，国家工信部“专精特新”小巨人企业、“浙江省科技型中小企业”、中国重机协会及带式输送机分会理事单位，电动滚筒行业标准起草单位。工厂占地2.7万平方米，员工300余人，其中工程技术人员占15%以上。

公司主导产品为星力牌电动滚筒。电动滚筒技术系从德国引进，设计起点高，产品性能优越。公司现拥有年产15000台以上电动滚筒生产能力以及设计生产变形产品、延伸产品和其它产品的应变能力，成为江南地区目前最大的电动滚筒专业生产厂家，全国电动滚筒制造业的骨干企业。产品拓展到一千多种规格，被矿山、码头、热电厂、轧钢厂及建材、橡胶、化工、食品、邮政、家电等行业厂家的生产流水线、输送线上广泛使用。其中YTH型外装式减速滚筒为国家级新产品。YT、YD型油浸式电动滚筒分别被评为科技进步二等奖。

公司以制造中国最优质电动滚筒为愿景，以追求一流品质，维护顾客利益为宗旨，倾心打造一流产品，让输送更简单。以热情的工作态度，竭诚为广大用户和配套单位提供优良产品、全程满意的服务。

HUZHOU motorized drum co., LTD is a research and development, production and sales enterprise specialized in the whole series of motor drum, a company focused on electric drum manufacturing more than 40 years, the state ministry of "specialization, the new" little giant enterprises, "small and mid-sized enterprise of ZHEJIANG province", the China Heavy Machinery Association and belt conveyor branch director unit, motor drum industry standard drafting unit. The factory covers an area of 27,000 square meters and employs more than 300 people, of which engineering and technical personnel account for more than 15%.

The company mainly produces varieties of motorized drums marked XINLI brand, its know-how technology introduced from Germany, so the product has high design level and excellent performance. At present, the company has the capacity of designing and manufacturing varieties and various of motorized drums and year yield of above 15000 sets, It is the biggest manufacturer in JIANGNAN district and a key enterprise in all of the country specialized in motorized drums. Company's products has branched out more than 1,000 specifications and widely used in product line and belt conveyor of mine, port, power plant, rolling mill, architecture, rubber, chemistry, food, post and electrical apparatus lines etc., among them YTH model built-out gear-reducing motorized drum was awarded a title of "National Newly-type Product" and YT & YD oil-immersed motorized drums won two-grade of "Scientific & Technology Progress".

The company to manufacture China's best quality motorized drum as the goal, to the pursuit of first-class quality, to protect the interests of customers for the purpose, dedicated to create first-class products, so that the transport is more simple. With enthusiastic working attitude, we are dedicated to provide customers and supporting units and excellent products, full satisfaction service.

制造中国最优质的电动滚筒

Manufacturing China's best quality motorized drum

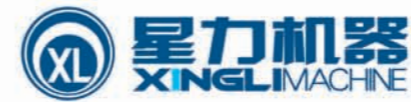
让“输送” 简便 · 高效 · 节能 · 可靠 · 安全 · 环保

Make belt conveyor simple, efficient, energy saving,
reliable, safe and environmentally friendly



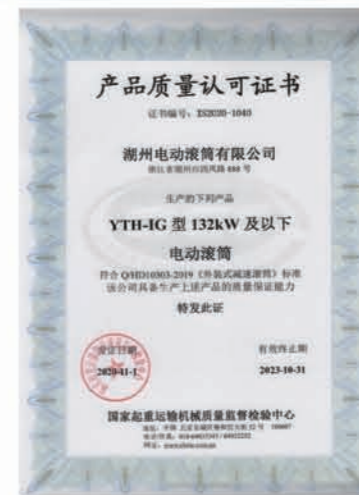
目录 Contents

YTH型外装式减速滚筒 YTH Type Built-out Gear-reducing Motorized Drum	04
JZD型永磁电动滚筒(交流-大) JZD type permanent magnet motorized drum (AC-large)	08
YT (YII)型油浸式电动滚筒 YT(YII) Type Oil-steeped Motorized Drum	14
TDY型油冷式电动滚筒 TDY Type Oil-cooled Motorized Drum	16
YDB隔爆型油冷式电动滚筒 YDB Explosion-isolating Type Oil-cooled Motorized Drum	18
YD型油浸式电动滚筒 YD Type Oil-steeped Motorized Drum	20
JZD型永磁电动滚筒(交流-小) JZD type permanent magnet motorized drum(AC-small)	22
ZZD型永磁电动滚筒(直流) ZZD type permanent magnet motorized drum(DC)	24
DY-1型油浸式电动滚筒 DY-1 Type oil-steeped motorized drum	25
YDM型液压驱动滚筒 YDM Type hydraulic drive drum	26



www.hzdt.com.cn

品质保证



YTH型外装式减速滚筒 YTH Type Built-out Gear-reducing Motorized Drum



外装式减速滚筒工作的环境温度为-20℃~+40℃，输送物料的温度不超过60℃，使用地点的海拔高度一般不超过1000米。如果工作环境与上述条件不符，请与本公司联系。

The motorized drum that work environment the temperature is -20℃~+40℃. The temperature that transport the material exceed 60℃. The elevation high of work location not exceed 1000 meters. If the work environment is out of accordance with above term, please contact with our company.

YTH型外装式减速滚筒性能及用途 Features & Applications

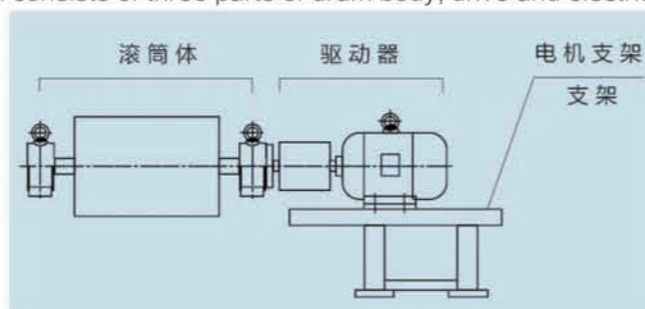
YTH型外装式减速滚筒采用引进德国先进的电动滚筒生产技术，硬齿面行星齿轮传动，运行平稳，噪声低，过载能力强，功率范围大。可配置液力耦合器、逆止器、制动器，也可配隔爆电机，适用作各种恶劣环境下及有防爆要求的大中型带式输送机的驱动装置。

YTH model built-out Gear-reducing motorized drum is produced according to technology imported from Germany. With advantages of hardened gear surface, planetary gear drive, steady rotation, low noise, big capacity with over-load and large power range, it can equip with hydraulic coupling, stop-reverse unit, brake and explosion-proof electric motor and suitable to large and middle scale belt conveyer with awful environment and explosion-proof requirement.

YTH型外装式减速滚筒的组成 Structure Descriptions

YTH型外装式减速滚筒由滚筒体、驱动器及支架三部分(II型无支架)。滚筒体主要包括滚筒壳体、支座及装在滚筒内的减速器组成。驱动器主要包括电动机、联轴器、液力耦合器、逆止器、制动器等部件。支架由型钢焊接而成，有整体支架和电机支架两种形式。整体支架用于安装滚筒体、电动机和护罩。电机支架用于安装电动机和护罩，用户可以按需要自行设计制造。

YTH model built-out Gear-reducing motorized drum consists of three parts of drum body, drive and electric motor (II model without motor bracket). The drum body includes drum shell, bracket and gear reducer. The driver includes electric motor, coupler, hydraulic coupler, stop-reverse unit and brakes etc. The bracket is welded by steel sheet. There are two forms: integral bracket and motor bracket. The integral bracket used for erecting drum body, electric motor and its cover. The motor bracket used for erecting electric motor and its cover, and also designed and made by customer.

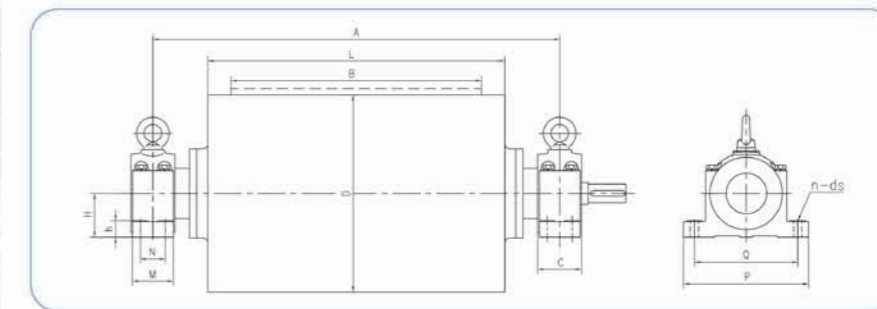


参数表 Parameter List

滚筒直径D Drum Dia.D mm	带宽B Belt Width B mm	功率P Power P KW	滚筒表面线速度V m/s Velocity of drum surface												
			0.32	0.4	0.5	0.63	0.8	1.0	1.25	1.6	2.0	2.5	3.15	4.0	
Ø320	400/500 650/800	2.2/3.0/4.0			√	√	√	√	√	√	√				
		5.5/7.5						√	√	√	√	√			
Ø400	400/500/650 800/1000	2.2/3.0/4.0	√	√	√	√	√	√	√	√	√				
		5.5/7.5					√	√	√	√	√	√			
Ø500	500/650 800/1000	11/15								√	√	√	√		
		2.2/3.0/4.0	√	√	√	√	√	√	√	√	√	√			
		5.5/7.5	√	√	√	√	√	√	√	√	√	√	√	√	
Ø630	650/800 1000/1200 1400/1600 1800/2000	11/15													
		18.5/22/30/37					△	△	√	√	√	√	√		
		5.5/7.5	√	√	√	√	√	√	√	√	√	√	√	√	
		45/55							△	√	√	√	√	√	
Ø800	800/1000/1200 1400/1600	75										√	√	√	
		5.5/7.5				√	√	√	√	√	√	√			
	800/1000/1200 1400/1600 1800/2000	11/15					√	√	√	√	√	√	√	√	
		18.5/22/30/37							△	△	√	√	√	√	
Ø1000	1000/1200 1400/1600 1800/2000	45/55								△	√	√	√	√	
		75/90/110/132/160/200								△	△	√	√	√	
		30/37										△	△	√	√
		200/250									△	△	√	√	√
		315/355											√	√	√
Ø1250	1200/1400 1600/1800 2000	200/250										△	△	√	√
		315/355/400											√	√	√
		400/450/500											△	√	√
		560/630										√	√	√	

分类表
Classifying List

YTH★-●-○-□ 卧式电机型 Horizontal & in-line type	型号 Model	名称 Name	
	YTH-IG	卧式直列联轴器型 Horizontal & alignment coupling	
	YTH-IY	卧式直列液力耦合器型 Horizontal & alignment hydraulic coupling	
	YTHN-IG	卧式直列逆止联轴器型 Horizontal & alignment stop-reserve coupling	
	YTHN-IY	卧式直列逆止液力耦合器型 Horizontal & alignment stop-reserve hydraulic coupling	
	YTHZ-IG	卧式直列制动联轴器型 Horizontal & alignment brake coupling	
	YTHZ-IY	卧式直列制动液力耦合器型 Horizontal & alignment brake hydraulic coupling	
	YTHNd-IG	卧式直列低速逆止联轴器型 Horizontal & alignment low-speed stop-reverse coupling	
	YTHNd-IY	卧式直列低速逆止液力耦合器型 Horizontal & alignment low-speed stop-reserve hydraulic coupling	
YTH★-●-○-□ 立式电机型 YTH-II vertical motor type	型号 Model	名称 Name	备注 Remarks
	YTH-II	立式电机型 Vertical motor	功率限于132KW4极以下 Limited to below 132KW-4 power
	YTHN-II		
	YTHZ-II		
	YTHNd-II		
YTH★-●-○-□ 卧式垂直型 Horizontal & vertical type	型号 Model	名称 Name	
	YTH-III G	卧式垂直联轴器型 Horizontal & alignment vertical coupling	
	YTH-III Y	卧式垂直液力耦合器型 Horizontal & vertical hydraulic coupling	
	YTHN-III Y	卧式垂直逆止液力耦合器型 Horizontal & vertical stop-reserve hydraulic coupling	
	YTHZ-III Y	卧式垂直制动液力耦合器型 Horizontal & vertical brake hydraulic coupling	
	YTHNd-III Y	卧式垂直低速逆止液力耦合器型 (低速逆止处图形参见YTHNd-IY) Horizontal & vertical low-speed stop-reserve hydraulic coupling (Its drawing references to YTHNd-IY)	
隔爆型 Explosion-isolating type	型号 Model	备注 Remarks	
用隔爆式电动机取代普通电动机而成隔爆型 Use explosion-isolating electric motor instead of general electric motor	YTH-B-I	各种型号均可派生隔爆型 All models can be derived into explosion-isolating type	
	YTH-B-II		
	YTH-B-III		
★ 附加功能 Additional features	● 电机功能 Motor function	○ 电机联接方式 Connction mode of motor	
N-高速逆止器 High-speed backstop Nd-低速逆止器 Low-speed backstop Z-制动器 Brake	B-防爆电机 Explosion-proof motor V-变频电机 Frequency variable motor	G-联轴器 Coupling Y-液力耦合器 Hydraulic coupling L-离合器 Clutch	



安装外形尺寸
Mounting External Size

D	B	A	L	H	C	M	N	P	Q	h	n-ds
Ø320 Ø400	400	750	500	120	110	90	—	340	280	35	2-Ø27
	500	850	600								
	650	1000	750								
	800	1300	950								
Ø500	500	850	600	120 [140]	120 [140]	90 [130]	— [80]	340 [400]	280 [330]	35 [50]	2-Ø27 [4-Ø27]
	650	1000	750								
	800	1300	950								
	1000	1500	1150								
Ø630 Ø800 Ø1000 (≤160KW)	650	1000 [1100]	750	120 [140]	120 [140]	90 [130]	— [80]	340 [400]	280 [330]	35 [50]	2-Ø27 [4-Ø27]
	800	1300	950								
	1000	1500	1150								
	1200	1750	1400								
	1400	2000	1600								
	1600	2200	1800								
Ø1000 Ø1250 (200KW ~400KW)	1800	2400	2000	160	160	150	90	440	360	50	4-Ø34
	2000	2600	2200								
	1000	1550	1150								
	1200	1800	1400								
	1400	2000	1600								
	1600	2200	1800								
Ø1250 (400KW ~650KW)	1800	2400	2000	180	200	180	105	530	440	52	4-Ø34
	2000	2600	2200								
	1200	1800	1400								
	1400	2000	1600								
	1600	2200	1800								
	1800	2400	2000								

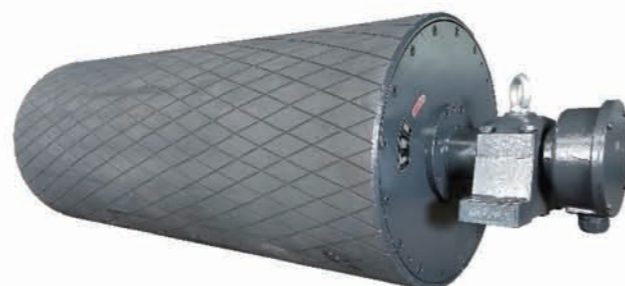
注Notes: 1、() 尺寸为 ≤15KW 及 18.5KW、22KW 定轴。() size is ≤15KW and 18.5KW、22KW fixed shaft.
2、【 】 尺寸为带宽 B650, 功率 37KW 及以上。【 】 size is B650, power 37KW and above.

订货代号: YTHNd-B-IY-75-2.5-1200-800
Order Symbol

型号 Type	附加功能 Additional features	电动机 Motor			带速 V Velocity of drum surface (m/s)	带宽 B Belt width (mm)	筒径 D Drum dia. (mm)	其他要求 Other requirements
		电动机功率 P Motor power (KW)	电动机功能 Motor function	电机联接方式 Connction mode of motor				
YTH	见表 See table	见表 See table	见表 See table	见表 See table	见表 See table	见表 See table	见表 See table	胶面 Rubber surface 旋转方向 Direction of rotation 外观 Appearance

JZD型永磁电动滚筒 (交流-大) JZD Type Permanent Magnet Motorized Drum

电动滚筒直径 $\phi 320 \sim \phi 1250\text{mm}$ ，功率4~355千瓦，用于散料输送皮带机驱动，采用无传感器矢量控制技术的变频器控制，节能可达20%。根据产品和现场条件可采取自冷、风冷、水冷等冷却方式，广泛应用于矿山、码头、混凝土、热电厂、钢厂、建材、化工等行业。



Motorized drum diameter $\phi 320 \sim \phi 1250\text{mm}$, power 4~ 355 kW, used for bulk material conveyor belt drive. transducer control without sensor vector control technology, energy saving up to 20%. According to the product and site conditions can adopt self-cooling, air cooling, water cooling and other cooling methods, widely used in mines, wharves, concrete, thermal power plants, steel mills building materials, chemical industry and other industries.

参数表 Parameter List

筒径 D Drum dia (mm)	功率 P Power (kW)	带速 V Drum surface velocity (m/s)	额定扭矩 M Rated torque (Nm)	带宽 B Belt Width (mm)												
				650	800	1000	1200	1400	1600	1800	2000					
$\phi 320$	4	0.8	745	✓	✓	✓	✓									
		1	595	✓	✓	✓	✓									
		1.25	475	✓	✓	✓	✓									
		1.6	370	✓	✓	✓	✓									
		2	295	✓	✓	✓	✓									
		2.5	240	✓	✓	✓	✓									
	5.5	1.25	655	✓	✓	✓	✓									
		1.6	510	✓	✓	✓	✓									
		2	410	✓	✓	✓	✓									
		2.5	325	✓	✓	✓	✓									
		7.5	1.6	695	✓	✓	✓	✓								
			2	560	✓	✓	✓	✓								
	2.5		450	✓	✓	✓	✓									
	$\phi 400$	4	0.63	1180	✓	✓	✓	✓								
			0.8	930	✓	✓	✓	✓								
1			745	✓	✓	✓	✓									
1.25			595	✓	✓	✓	✓									
1.6			465	✓	✓	✓	✓									
2			370	✓	✓	✓	✓									
2.5			300	✓	✓	✓	✓									

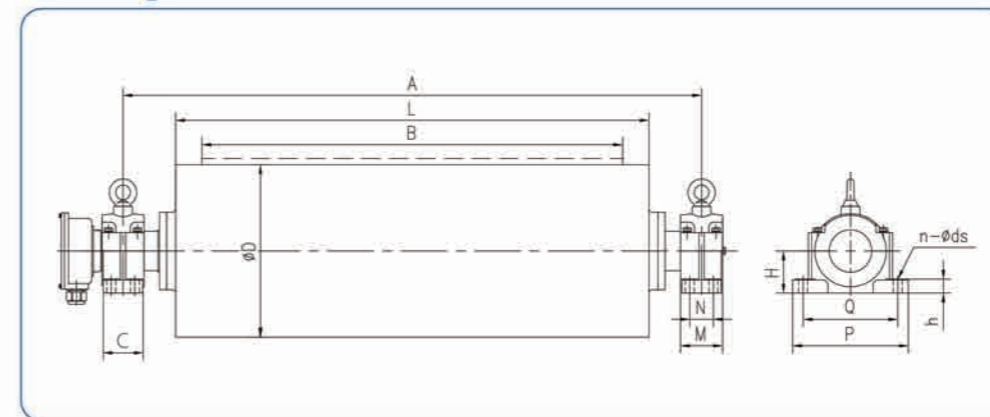
筒径 D Drum dia (mm)	功率 P Power (kW)	带速 V Drum surface velocity (m/s)	额定扭矩 M Rated torque (Nm)	带宽 B Belt Width (mm)										
				650	800	1000	1200	1400	1600	1800	2000			
$\phi 400$	5.5	0.8	1280	✓	✓	✓	✓							
		1	1020	✓	✓	✓	✓							
		1.25	820	✓	✓	✓	✓							
		1.6	640	✓	✓	✓	✓							
		2	510	✓	✓	✓	✓							
	7.5	2.5	410	✓	✓	✓	✓							
		1	1395	✓	✓	✓	✓							
		1.25	1110	✓	✓	✓	✓							
		1.6	870	✓	✓	✓	✓							
		2	700	✓	✓	✓	✓							
	11	2.5	560	✓	✓	✓	✓							
		1.6	1375			✓	✓	✓						
		2	1100			✓	✓	✓						
	15	2.5	880			✓	✓	✓						
		2	1500			✓	✓	✓						
$\phi 500$	11	2.5	1200			✓	✓	✓						
		1	2410	✓	✓	✓	✓	✓	✓					
		1.25	1930	✓	✓	✓	✓	✓	✓					
		1.6	1610	✓	✓	✓	✓	✓	✓					
		2	1290	✓	✓	✓	✓	✓						
	15	2.5	1020	✓	✓	✓	✓							
		3.15	805	✓	✓	✓								
		1	3290		✓	✓	✓	✓	✓	✓				
		1.25	2635	✓	✓	✓	✓	✓	✓					
		1.6	2200	✓	✓	✓	✓	✓	✓					
		2	1760	✓	✓	✓	✓	✓	✓					
	22	2.5	1390	✓	✓	✓	✓							
		3.15	110	✓	✓	✓	✓							
		1.25	3860		△	△	△	△	△					
		1.6	3220		✓	✓	✓	✓	✓					
2		2580	✓	✓	✓	✓	✓	✓						
2.5		2035	✓	✓	✓	✓	✓	✓						
3.15		1610	✓	✓	✓	✓	✓							
30	4	1290	✓	✓	✓	✓	✓							
	1.6	4380		△	△	△	△	△						
	2	3515		✓	✓	✓	✓	✓						
	2.5	2775	✓	✓	✓	✓	✓	✓						
	3.15	2200	✓	✓	✓	✓	✓							
$\phi 630$	30	4	1760	✓	✓	✓	✓	✓						
		1.25	6590		△	△	△	△	△	△				
		1.6	5270		✓	✓	✓	✓	✓	✓	✓			
		2	4390	✓	✓	✓	✓	✓	✓	✓	✓			
		2.5	3520	✓	✓	✓	✓	✓	✓	✓	✓			
		3.15	2780	✓	✓	✓	✓	✓	✓	✓	✓			
		4	2200	✓	✓	✓	✓	✓	✓					

筒径 D Drum dia (mm)	功率 P Power (kW)	带速 V Drum surface velocity (m/s)	额定扭矩 M Rated torque (Nm)	带宽 B Belt Width (mm)							
				650	800	1000	1200	1400	1600	1800	2000
Ø630	45	1.6	7900		△	△	△	△	△	△	△
		2	6590		△	△	△	△	△	△	△
		2.5	5275		√	√	√	√	√	√	√
		3.15	4165		√	√	√	√	√	√	√
		4	3300		√	√	√	√	√	√	√
		5	2640		√	√	√	√	√	√	√
	55	1.6	9660			△	△	△	△	△	△
		2	8050		△	△	△	△	△	△	△
		2.5	6450		√	√	√	√	√	√	√
		3.15	5090		√	√	√	√	√	√	√
		4	4030		√	√	√	√	√	√	√
	75	1.6	13100			△	△	△	△	△	△
		2	10950			△	△	△	△	△	△
		2.5	8790			√	√	√	√	√	√
		3.15	6940		√	√	√	√	√	√	√
4		5490		√	√	√	√	√	√	√	
Ø800	45	1.25	13170			△	△	△	△	△	△
		1.6	9880			△	△	△	△	△	△
		2	7900		√	√	√	√	√	√	√
		2.5	6590		√	√	√	√	√	√	√
		3.15	5270		√	√	√	√	√	√	√
		4	4160		√	√	√	√	√	√	√
	55	1.6	12080			△	△	△	△	△	△
		2	9660			△	△	△	△	△	△
		2.5	8050		√	√	√	√	√	√	√
		3.15	6440		√	√	√	√	√	√	√
		4	5080		√	√	√	√	√	√	√
	75	1.6	16470			△	△	△	△	△	△
		2	13180			△	△	△	△	△	△
		2.5	10980			△	△	△	△	△	△
		3.15	8780		√	√	√	√	√	√	√
4		6935		√	√	√	√	√	√	√	
5		5500		√	√	√	√	√	√	√	
90	1.6	19760			△	△	△	△	△	△	
	2	15815			△	△	△	△	△	△	
	2.5	13180			△	△	△	△	△	△	
	3.15	10540			△	△	△	√	√	√	
	4	8320		√	√	√	√	√	√	√	
110	1.6	24160				△	△	△	△	△	
	2	19320				△	△	△	△	△	
	2.5	16100				△	△	△	△	△	
	3.15	12880				△	△	△	△	△	
	4	10175		△	△	△	△	△	△	△	
5	8060		√	√	√	√	√	√	√		

筒径 D Drum dia (mm)	功率 P Power (kW)	带速 V Drum surface velocity (m/s)	额定扭矩 M Rated torque (Nm)	带宽 B Belt Width (mm)							
				650	800	1000	1200	1400	1600	1800	2000
Ø800	132	2	23180			△	△	△	△	△	△
		2.5	19320			△	△	△	△	△	△
		3.15	15460			△	△	△	△	△	△
		4	12200			△	△	△	△	△	△
		5	9670		△	△	△	△	△	△	△
	160	2.5	23425			△	△	△	△	△	△
		3.15	18740			△	△	△	△	△	△
		4	14800			△	△	△	△	△	△
		5	11720			△	△	△	△	△	△
		Ø1000	90	1.6	26360			△	△	△	△
2	19770					△	△	△	△	△	△
2.5	15815				△	△	△	△	△	△	△
3.15	13180				△	△	△	△	△	△	△
4	10545				△	△	△	△	△	△	△
110	5		8325		△	△	△	△	△	△	△
	1.6		32210			△	△	△	△	△	△
	2		24160			△	△	△	△	△	△
	2.5		19330			△	△	△	△	△	△
	3.15		16100			△	△	△	△	△	△
132	4	12885		△	△	△	△	△	△	△	
	5	10170		△	△	△	△	△	△	△	
	1.6	38650			△	△	△	△	△	△	
	2	28990			△	△	△	△	△	△	
	2.5	23190			△	△	△	△	△	△	
160	3.15	19320			△	△	△	△	△	△	
	4	15460			△	△	△	△	△	△	
	5	12200		△	△	△	△	△	△	△	
	1.6	46800			△	△	△	△	△	△	
	2	35140			△	△	△	△	△	△	
185	2.5	28115			△	△	△	△	△	△	
	3.15	23430			△	△	△	△	△	△	
	4	18750			△	△	△	△	△	△	
	5	14800			△	△	△	△	△	△	
	2	40635			△	△	△	△	△	△	
200	2.5	32500			△	△	△	△	△	△	
	3.15	27090			△	△	△	△	△	△	
	4	21675			△	△	△	△	△	△	
	5	17100			△	△	△	△	△	△	
	2	43930			△	△	△	△	△	△	
220	2.5	35140			△	△	△	△	△	△	
	3.15	29280			△	△	△	△	△	△	
	4	23420			△	△	△	△	△	△	
	5	18490			△	△	△	△	△	△	
	2	48320			△	△	△	△	△	△	
220	2.5	38650			△	△	△	△	△	△	
	3.15	32210			△	△	△	△	△	△	
	4	25770			△	△	△	△	△	△	
	5	20340			△	△	△	△	△	△	

筒径 D Drum dia (mm)	功率 P Power (kW)	带速 V Drum surface velocity (m/s)	额定扭矩 M Rated torque (Nm)	带宽 B Belt Width (mm)							
				650	800	1000	1200	1400	1600	1800	2000
Ø1000	250	2	54910				△	△	△	△	△
		2.5	43930				△	△	△	△	△
		3.15	36600			△	△	△	△	△	△
		4	29280			△	△	△	△	△	△
		5	23120			△	△	△	△	△	△
	280	2	61500					△	△	△	△
		2.5	49200					△	△	△	△
		3.15	41000					△	△	△	△
		4	32800			△	△	△	△	△	△
		5	25900			△	△	△	△	△	△
	315	2	69190						△	△	△
		2.5	55350						△	△	△
		3.15	46120					△	△	△	△
		4	36900			△	△	△	△	△	△
		5	29130			△	△	△	△	△	△
Ø1250	200	1.6	70200				△	△	△	△	△
		2	58570				△	△	△	△	△
		2.5	43930			△	△	△	△	△	△
		3.15	35140			△	△	△	△	△	△
		4	29280			△	△	△	△	△	△
		5	23420			△	△	△	△	△	△
	220	1.6	77300					△	△	△	△
		2	64420					△	△	△	△
		2.5	48320					△	△	△	△
		3.15	38650			△	△	△	△	△	△
		4	32215			△	△	△	△	△	△
	250	5	25770			△	△	△	△	△	△
		1.6	87800					△	△	△	△
		2	73200					△	△	△	△
		2.5	54900					△	△	△	△
		3.15	43900			△	△	△	△	△	△
	280	4	36600			△	△	△	△	△	△
		5	29285			△	△	△	△	△	△
		2	82000					△	△	△	△
		2.5	61500					△	△	△	△
		3.15	49200					△	△	△	△
315	4	41000			△	△	△	△	△	△	
	5	32800			△	△	△	△	△	△	
	2	92200					△	△	△	△	
	2.5	69180					△	△	△	△	
	3.15	55350					△	△	△	△	
355	4	46120			△	△	△	△	△	△	
	5	36900			△	△	△	△	△	△	
	2	103900						△	△	△	
	2.5	77970						△	△	△	
	3.15	62380						△	△	△	
		4	51980					△	△	△	
		5	41580			△	△	△	△	△	

安装外形尺寸
Mounting External Size



D	B	A	L	H	C	M	N	P	Q	h	n-Øds
Ø320	650	1000	750	120	70	65	—	340	280	35	2-Ø27
	800	1300	950								
	1000	1500	1150								
Ø400	1200	1750	1400	120	110	90	—	340	280	35	2-Ø27
	650	1000	750								
	800	1300	950								
	1000	1500	1150								
Ø500	1200	1750	1400	120	120	90	—	340	280	35	2-Ø27
	500	850	600								
	650	1000	750								
	800	1300	950								
	1000	1500	1150								
	1400	2000	1600								
Ø630	1600	2200	1800	160	160	150	90	440	360	50	4-Ø34
	650	1000	750								
	800	1300	950								
Ø630 Ø800 Ø1000	1000	1500	1150	160	160	150	90	440	360	50	4-Ø34
	1200	1750	1400								
	1400	2000	1600								
	1600	2200	1800								
	1800	2400	2000								
Ø1250	2000	2600	2200	180	200	180	105	530	440	52	4-Ø34
	1000	1500	1150								
	1200	1750	1400								
	1400	2000	1600								
	1600	2200	1800								
	1800	2400	2000								

订货代号: JZDNd-132-2.0-1400-1000

Order Symbol

型号 Type	附加功能 Additional features	功率 P Power (KW)	带速 V Velocity of drum surface (m/s)	带宽 B Belt width (mm)	筒径 D Drum dia. (mm)	其他要求 Other requirements
JZD	Nd-逆止器 Backstop Z-制动器 Brake	见表 See table	见表 See table	见表 See table	见表 See table	胶面 Rubber surface 旋转方向 Direction of rotation 外观 Appearance

YT(YII)型油浸式电动滚筒 YT(YII) Type Oil-steeped Motorized Drum

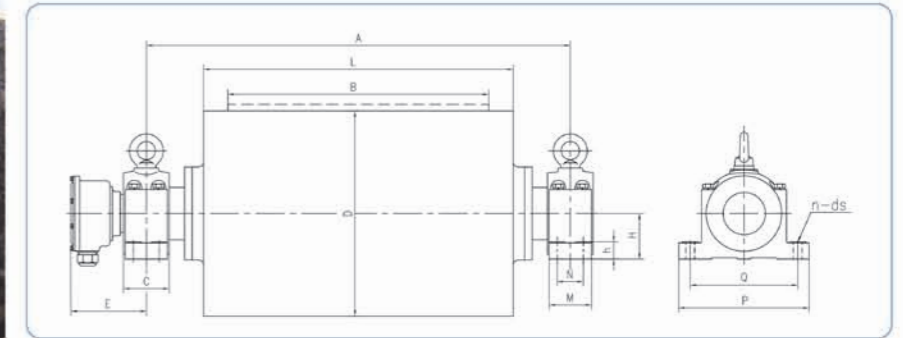
YT(YII)型油浸式电动滚筒是本公司为大中型皮带机配套的产品，采用德国先进技术，电机采用油浸直接冷却，配用行星齿轮减速器，扭矩大、精度高、噪声低、滚筒全密封、无渗漏，可用于粉尘大、潮湿等环境恶劣的场合，是皮带输送机、斗轮堆取料机、装卸船机理想的驱动装置。



YT(YII) type oil-steeped motorized drum, produced as the latest technology imported from Germany, is a product for large and medium type belt conveyors, in which oil-steeped motor drives the advanced planetary gear reducers, high precision and low noise are its advantages. Motorized drum is totally enclosed and guarantee against the seepage of oil, therefore able to operate in humid and dust conditions, for extremely rough conditions a special seal is available. As a ideal driving device for the Bucket Wheel Stacker and Reclaimer, load and unload machines, this type motorized drum are widely used in mines, factories, harbours, etc.

参数表 Parameter List

滚筒直径D Drum Dia. D mm	功率 P Power (kW)	带宽B Belt Width B mm	滚筒表面线速度V m/s Velocity of drum surface							质量M Mass M kg
			1.0	1.25	1.6	2.0	2.5	3.15	4.0	
Ø630	18.5	800	√	√	√	√	√	√	√	1200/1250/1350/1450
	22	1000	√	√	√	√	√	√	√	1250/1300/1400/1500
	30	1200	√	√	√	√	√	√	√	1300/1350/1450/1550
	37	1400	√	√	√	√	√	√	√	1350/1400/1500/1600
	45	1600	√	√	√	√	√	√	√	1400/1450/1550/1650
Ø800	18.5	800		√	√	√	√	√	√	1270/1320/1420/1520
		1000		√	√	√	√	√	√	1320/1370/1470/1570
		1200		√	√	√	√	√	√	1370/1420/1520/1620
		1400		√	√	√	√	√	√	1420/1470/1570/1670
		1600		√	√	√	√	√	√	1470/1520/1620/1720
	45	1000	△	△	√	√	√	√	√	2080/2130
		1200	△	△	√	√	√	√	√	2200/2250
		1400	△	△	√	√	√	√	√	2320/2370
		1600	△	△	√	√	√	√	√	2440/2490
		1800	△	△	√	√	√	√	√	2560/2610
		2000	△	△	√	√	√	√	√	2680/2730
	75	1200				√	√	√	√	2250/2320
		1400				√	√	√	√	2370/2440
		1600				√	√	√	√	2490/2560
		1800				√	√	√	√	2610/2680
2000					√	√	√	√	2730/2800	
Ø1000	45	1000			△	√	√	√	√	2150/2200
		1200			△	√	√	√	√	2300/2350
		1400			△	√	√	√	√	2500/2550
	75	1200				√	√	√	√	2350/2420/2650
		1400				√	√	√	√	2550/2620/2850
		1600				√	√	√	√	2750/2820/3050
		1800				√	√	√	√	2950/3020/3250
		2000				√	√	√	√	3150/3220/3450



安装外形尺寸 Mounting External Size

D	B	A	L	H	C	M	N	P	Q	h	n-ds	E
Ø630	800	1300	950	140	140	130	80	400	330	35	4-Ø27	235
	1000	1500	1150									
Ø800	1200	1750	1400	160	160	150	90	440	360	50	4-Ø34	245
	1400	2000	1600									
	1600	2200	1800									
	1800	2400	2000									
Ø1000	2000	2600	2200	160	160	150	90	440	360	50	4-Ø34	245
	1600	2200	1800									

订货代号: YT(YII)-22-2.5-1200-800 Order Symbol

型号 Type	附加功能 Additional features	功率P Power (KW)	带速V Velocity of drum surface (m/s)	带宽B Belt width (mm)	筒径D Drum dia. (mm)	其他要求 Other requirements
YT(YII)	N-逆止器 Backstop	见表 See table	见表 See table	见表 See table	见表 See table	胶面 Rubber surface 旋转方向 Direction of rotation 外观 Appearance

注:

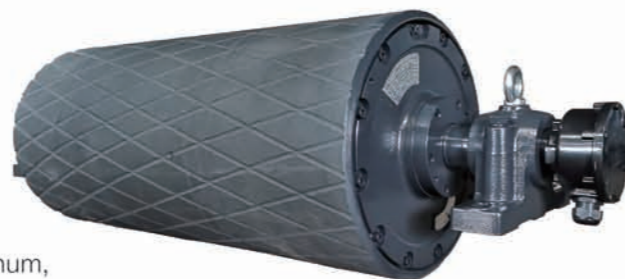
- YT(YII)型油浸式电动滚筒可制成单向逆止型滚筒。
- YT(YII)型油浸式电动滚筒可根据用户要求制成非标准型式。

Notes:

- YT(YII) type oil-steeped motorized drum on occasion like operating in only direction can be made.
- YT(YII) type oil-steeped motorized drum can be made to meet special requirements of our customers.

TDY型油冷式电动滚筒 TDY Type Oil-cooled Motorized Drum

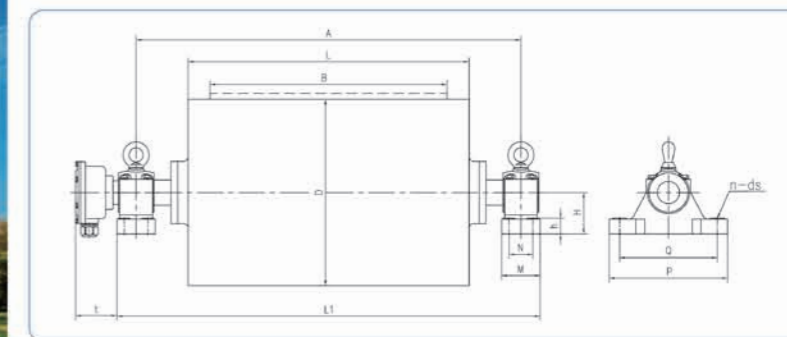
TDY型油冷式电动滚筒是我国目前广泛采用的普通型电动滚筒。滚筒电机为高效铝壳电机，电机前后端盖均采用铸铁材料。滚筒电机由专业的电动滚筒电机厂配套，其性能指标不低于同功率的我国高效电机的指标。为满足用户需求，本公司将继续生产TDY型油冷滚筒。



TDY type oil-cooled motorized drum is widely used for general purpose in China. Its motor is high-efficiency aluminum, better the front and rear end covers are made of cast iron materials. Its motor made by the special motor producers, is not below national high-efficiency standard at the same power level. For meeting the requirements of our customers, TDY type oil-cooled motorized drum will continue to be produced.

参数表 Parameter List

滚筒直径D Drum Dia. D mm	功率 P Power (kW)	带宽B Belt Width B mm	滚筒表面线速度V m/s Velocity of drum surface											质量M Mass M kg	
			0.25	0.32	0.4	0.5	0.63	0.8	1.0	1.25	1.6	2.0	2.5		3.15
Ø320	2.2/3/4	500/650/800/1000		△	△	√	√	√	√	√	√	√			235/245/255/260
	5.5/7.5	500/650/800/1000				√	√	√	√	√	√			269/275/283/290	
Ø400	2.2/3/4	500/650/800/1000		√	√	√	√	√	√	√	√	√		253/267/277/300	
	5.5/7.5	500/650/800/1000				√	√	√	√	√	√	√		267/290/320/350	
	11/15	800/1000								√	√	√	√	380/442	
Ø500	2.2/3	500/650/800/1000		△	△	△	△	△	△	△	△	△		298/313/343/365	
	4/5.5	500/650/800/1000	△	△	√	√	√	√	√	√	√	√		365/401/430/442	
	7.5/11	650/800/1000/1200				√	√	√	√	√	√	√		475/512/550/590	
	15/18.5	800/1000/1200					√	√	√	√	√	√		575/615/665	
Ø630	22	800/1000/1200								√	√	√	√	585/625/680	
	4/5.5	650/800/1000/1200/1400	△	△	△	△	√	√	√	√	√	√	√	565/572/603/673/750	
	7.5/11	650/800/1000/1200/1400		△	△	△	√	√	√	√	√	√	√	608/674/706/776/854	
	15	800/1000/1200/1400						√	√	√	√	√	√	692/724/794/870	
	18.5	800/1000/1200/1400							√	√	√	√	√	730/762/832/910	
	22	800/1000/1200/1400								√	√	√	√	740/772/842/920	
	30/37	1000/1200/1400/1600									√	√	√	980/1050/1130/1150	
Ø800	45	1000/1200/1400/1600									√	√	√	1010/1090/1150/1210	
	11/15	800/1000/1200/1400							√	√	√	√		797/829/886/957	
	18.5/22	800/1000/1200/1400									√	√	√	845/877/947/1025	
	30/37	1000/1200/1400/1600									√	√	√	1050/1100/1150/1200	
Ø800	45	1000/1200/1400/1600										√	√	1080/1130/1180/1230	



安装外形尺寸 Mounting External Size

D	B	A	L	L1	t	H	M	N	P	Q	h	n-ds
Ø320	500	850	600	920	120	120	70	-	340	280	35	2-Ø27
	650	1000	750	1070								
	800	1300	950	1370								
Ø400	1000	1500	1150	1570	120	120	90	-	340	280	35	2-Ø27
	500	850	600	940								
	650	1000	750	1090								
Ø500	800	1300	950	1390	120	120	90	-	340	280	35	2-Ø27
	500	850	600	940								
	650	1000	750	1090								
Ø630	1000	1500	1150	1590	120	120	90	-	340	280	35	2-Ø27
	500	850	600	940								
	650	1000	750	1090								
Ø800	1200	1750	1400	1790	120	120	90	-	340	280	35	2-Ø27
	650	1000	750	1090								
	800	1300	950	1430								
	1000	1500	1150	1630								
Ø800	1200	1750	1400	1900	120	140	130	80	400	330	35	4-Ø27
	650	1000	750	1090								
	800	1300	950	1430								
	1000	1500	1150	1630								
Ø800	1400	2000	1600	2150	120	160	150	90	440	360	50	4-Ø34
	650	1000	750	1090								
	800	1300	950	1430								
	1000	1500	1150	1630								
Ø800	1600	2200	1800	2350	120	160	150	90	440	360	50	4-Ø34

订货代号: TDY-15-2.0-800-500 Order Symbol

型号 Type	附加功能 Additional features	功率 P Power (KW)	带速 V Velocity of drum surface (m/s)	带宽 B Belt width (mm)	筒径 D Drum dia. (mm)	其他要求 Other requirements
TDY TDY-II	N-逆止器 Backstop	见表 See table	见表 See table	见表 See table	见表 See table	胶面 Rubber surface 旋转方向 Direction of rotation 外观 Appearance

YDB隔爆型油冷式电动滚筒 YDB Explosion-isolating Type Oil-cooled Motorized Drum

YDB隔爆型油冷式电动滚筒适用于煤矿(非采掘工作面)含有爆炸性气体混合物的场所, 安装尺寸符合行业标准, 作为胶带输送机的一种新型驱动装置, 与防爆电机+减速器+传动滚筒形式的传动装置比较有明显的优点, 它的结构紧凑、安装安全、操作方便、外形美观。额定电压380V、660V、380/660V、660V/1140V, 额定频率50Hz。

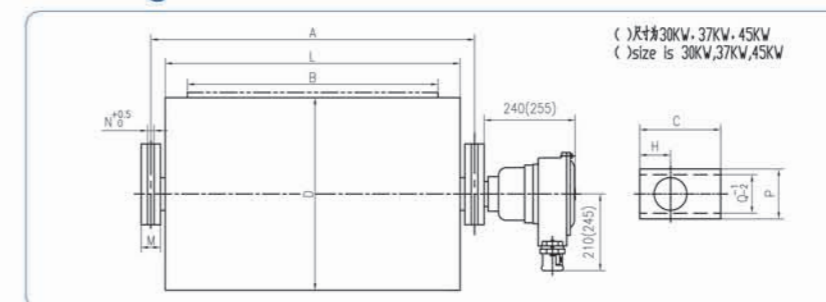


YDB explosion-isolating type oil-cooled motorized drum used in the explosive gas of environment, installed measurement is according with standard, the new driving device which is used of rubber coated draper, comparing with the explosion-proof motor+ reducer+ live-drum's drive unit, it has obvious virtue, It's compact of structure, install safely, operate conveniently, beautiful of appearance. Rated voltage 380V, 660V, 380/660V, 660V/1140V, rated frequency 50Hz.

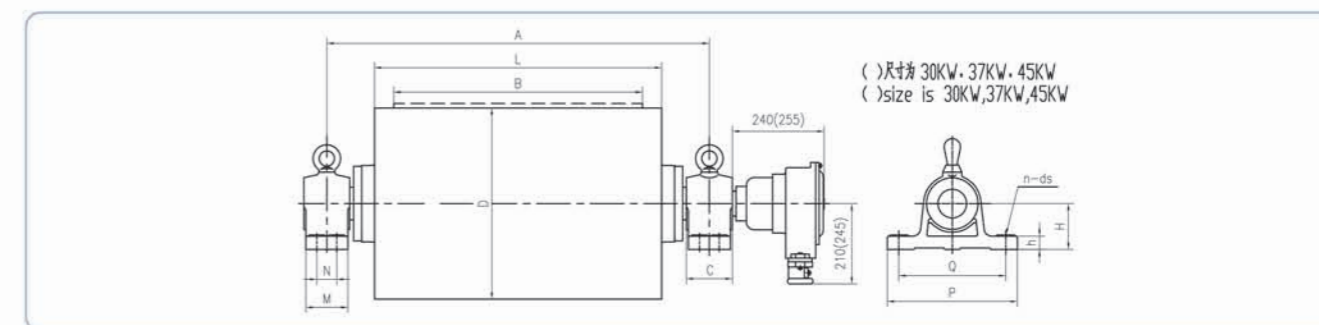
参数表 Parameter List

滚筒直径D Drum Dia.D mm	功率 P Power (kW)	带宽B Belt Width B mm	滚筒表面线速度V Velocity of drum surface V m/s	额定电压 U Rated Voltage U V
Ø400	4	650、800	0.32,0.4,0.5,0.63,0.8,1.0,1.25,1.6,2.0,2.5	380/660,660/1140
	5.5	650、800	0.63,0.8,1.0,1.25,1.6,2.0,2.5	380/660,660/1140
	7.5	650、800	0.63,0.8,1.0,1.25,1.6,2.0,2.5	380/660,660/1140
	11	800、1000	1.25,1.6,2.0,2.5	380/660,660/1140
	15	800、1000	2.0,2.5	380/660,660/1140
Ø500	5.5	650、800、1000、1200、1400	0.25,0.32,0.4,0.5,0.63,0.8,1.0,1.25,1.6,2.0	380/660,660/1140
	7.5	650、800、1000、1200、1400	0.4,0.5,0.63,0.8,1.0,1.25,1.6,2.0,2.5,3.15	380/660,660/1140
	11	650、800、1000、1200、1400	0.63,0.8,1.0,1.25,1.6,2.0,2.5,3.15	380/660,660/1140
	15	650、800、1000、1200、1400	0.8,1.0,1.25,1.6,2.0,2.5,3.15	380/660,660/1140
	18.5	800、1000、1200、1400	0.8,1.0,1.25,1.6,2.0,2.5,3.15	380/660,660/1140
	22	800、1000、1200、1400	0.8,1.0,1.25,1.6,2.0,2.5,3.15	380/660,660/1140
	30	800、1000、1200、1400	1.0,1.25,1.6,2.0,2.5,3.15,4.0	380/660,660/1140
Ø630	5.5	650、800、1000、1200、1400	0.32,0.4,0.5,0.63,0.8,1.0,1.25,1.6,2.0,2.5	380/660,660/1140
	7.5	650、800、1000、1200、1400	0.5,0.63,0.8,1.0,1.25,1.6,2.0,2.5,3.15,4.0	380/660,660/1140
	11	650、800、1000、1200、1400	0.5,0.63,0.8,1.0,1.25,1.6,2.0,2.5,3.15,4.0	380/660,660/1140
	15	650、800、1000、1200、1400	1.0,1.25,1.6,2.0,2.5,3.15,4.0	380/660,660/1140
	18.5	800、1000、1200、1400	1.0,1.25,1.6,2.0,2.5,3.15,4.0	380/660,660/1140
	22	800、1000、1200、1400	1.0,1.25,1.6,2.0,2.5,3.15,4.0	380/660,660/1140
	30	800、1000、1200、1400、1600	1.25,1.6,2.0,2.5,3.15	380/660,660/1140
	37	800、1000、1200、1400、1600	1.25,1.6,2.0,2.5,3.15	380/660,660/1140
	45	800、1000、1200、1400、1600	1.6,2.0,2.5,3.15	380/660,660/1140

安装外形尺寸 Mounting External Size



D	B	L	A	H	C	M	N	Q	P
Ø500	650	735	840	80	210	50	17	100	120/130
	800	920	1040	80	210	50	17	120	140/150
	1000	1120	1240	80	210	50	17	120	140/150
Ø630	800	950	1160	85	250	60	32	160	150/180
	1000	1150	1290	85	250	60	32	160	150/180



D	B	L	A	H	C	M	N	P	Q	h	n-ds
Ø400	650	750	900	120	110	90	-	340	280	35	2-Ø27
	800	950	1100								
	1000	1150	1300								
Ø500	650	750	1000	120	120	90	-	340	280	35	2-Ø27
	800	950	1300								
	1000	1150	1500								
	1200	1400	1750								
	1400	1600	2000								
Ø630	650	750	1000	120	120	90	-	340	280	35	2-Ø27
	800	950	1300								
	1000	1150	1500	140	120	130	80	400	330	35	2-Ø27
	1200	1400	1750								
	1400	1600	2000								
1600	1800	2200	160	160	150	90	440	360	50	4-Ø34	

订货代号: YDB-15-1.0-500X800 Order Symbol

型号 Type	功率 P Power (KW)	带速 V Velocity of drum surface (m/s)	筒径 D Drum dia. (mm)	带宽 B Belt width (mm)	其他要求 Other requirements
YDB	见表 See table	见表 See table	见表 See table	见表 See table	电压 Rated Voltage 胶面 Rubber surface 外观 Appearance

YD型油浸式电动滚筒 YD Type Oil-steep Motorized Drum

YD型油浸式电动滚筒是本公司按德国W.A.T.公司油浸电动滚筒专有技术设计、生产的目前国内最先进的电动滚筒。该产品电机采用油浸直接冷却，效率高、体积小，与国内同类产品相比，具有重量轻、噪声低、寿命长等优点，已广泛用于电子、食品、邮电、轻工、机场、港口等行业的自动流水线或物料输送线。

YD type oil-steeped motorized drum is designed and produced by our company with the know-how of W.A.T. It is the most advanced electric roller in China, Direct cooling of motor immersed in oil. It has the advantages of high efficiency, small size, light weight, low noise, long service life, etc. It is widely used in automatic water supply lines or material transmission lines in electronics, food, post and telecommunications, light industry, airports, ports and other industries.

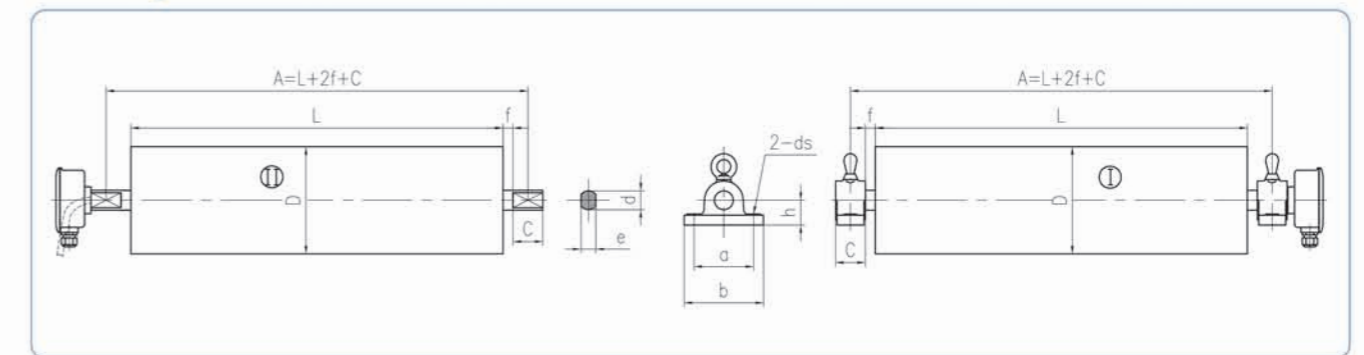


参数表 Parameter List

滚筒直径D Drum Dia.D mm	功率P Power (kW)	滚筒表面线速度V Velocity of drum surface V m/s	系列最小筒长Lmin		50mm质量 50mm Mass kg
			长度Length mm	质量Mass kg	
Ø113	0.25	0.04,0.05,0.06,0.07,0.075,0.08,0.09,0.1,0.12,0.15	350	16	1.1
		0.2,0.25,0.32,0.4,0.45,0.5,0.63	380	16	
	0.37	0.4,0.5,0.63,0.8,0.9,1.0,1.25,1.6,2.0,2.5	380	16	
Ø138 Ø142	0.75	0.25,0.32,0.4,0.55,0.63,0.85,1.6,2.0,2.5	420	25	1.5
	1.1	0.5,0.63,0.8,1.0,1.25,1.7	420	25	
Ø165 Ø175	0.75	0.08,0.1,0.13,0.16,0.2,0.25,0.32,0.4,0.5	400	40	2
	1.1/1.5/2.2	0.63,0.8,1.0,1.25,1.6,2.0,2.5	550/550/575	60	
Ø216 Ø240	0.75	0.1,0.13,0.16,0.2,0.25,0.32,0.4,0.5,0.63,0.8,1.0,1.25,1.6,2.0,2.5	390	63	2.5
	1.1	0.13,0.16,0.2,0.25,0.32,0.4,0.5,0.63,0.8,1.0,1.25,1.6,2.0,2.5	410	67	
	1.5/2.2	0.13,0.16,0.2,0.25,0.32,0.4,0.5,0.63,0.8,1.0,1.25,1.6,2.0,2.5	460/460	69	2.8
	3/3.7	0.63,0.8,1.0,1.25,1.6,2.0,2.5	510/600	81	
Ø270	4/5.5/7.5	0.32,0.4,0.5,0.63,0.8,1.0,1.25,1.6,2.0,2.5	620/620/720	90	3.7
Ø320	4/5.5	0.32,0.4,0.5,0.63,0.8,1.0,1.25,1.6,2.0,2.5,3.15	560/560	155	5
	7.5	0.5,0.63,0.8,1.0,1.25,1.6,2.0,2.5,3.15	660	160	

注：筒长根据客户需求定制。
Notes: The length of the cylinder is customized according to customer requirements.

安装外形尺寸 Mounting External Size



D	a	b	c	d	e	f	h	ds
Ø113	—	—	25	30	20	7.5	—	—
Ø138 Ø142	—	—	25	30	20	13.5	—	—
Ø165	—	—	43.5	40	30	21.5	—	—
Ø175	120	160	60	38	30	10	50	Ø15
Ø216	—	—	43.5	40	30	21.5	—	—
Ø240	120	160	60	38	30	15	50	Ø15
Ø270	—	—	43.5	40	30	21.5	—	—
Ø320	210	260	60	42	35	15	95	Ø19

注：尺寸根据客户需求定制。
Notes: The size is customized according to customer requirements.

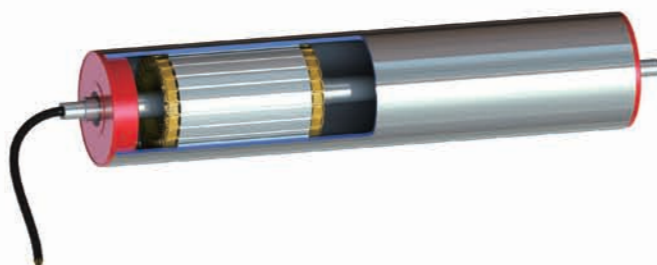
订货代号：YD-I-2.2-0.63-600-216 Order Symbol

型号 Type	功能代号 Function code	功率P Power (KW)	带速V Velocity of drum surface (m/s)	筒体长度L Drum length mm	筒径D Drum dia. (mm)	其他要求 Other requirements
YD	I-带支座 Mounting brackets II-不带支座 No brackets N-逆止器 Backstop	见表 See table	见表 See table	定制 Customization	见表 See table	胶面 Rubber surface 出线方式Round way 旋转方向 Direction of rotation 外观 Appearance

JZD型永磁电动滚筒 (交流-小) JZD Type permanent magnet motorized drum(AC-small)

电动滚筒直径 $\phi 92\sim\phi 240\text{mm}$, 功率0.25~5.5千瓦, 用于散料、物件输送皮带机的驱动, 采用无传感器矢量控制技术的变频器控制, 节能可达25%。采取自冷却方式, 广泛应用于电商快递、仓储、食品、安检、电子、家电、轮胎等行业的生产流水线和皮带输送机, 电动滚筒可根据客户需要加安装座和接线盒。

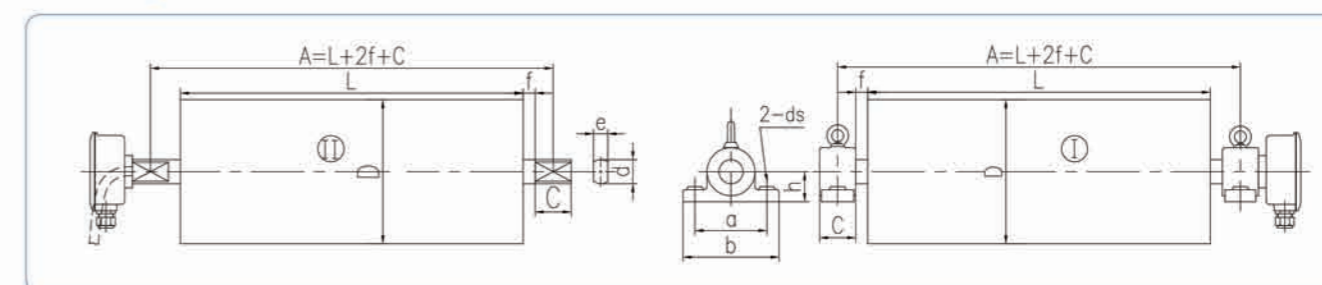
Motorized drum, diameter $\phi 92\sim\phi 240\text{mm}$, power 0.25~5.5kw, used for bulk material, object conveyor belt drive, transducer control without sensor control technology, energy saving up to 25%. Adopt self-cooling mode, widely used in e-commerce express, storage, food, security, electronics, home appliances, tires and other industries of production line and belt conveyor, electric roller can be installed according to customer needs and junction box.



参数表 Parameter List

筒径D Drum dia (mm)	功率P Power (kW)	相应带速V的额定扭矩M Rated torque of corresponding Drum surface velocity(m/s)(Nm)								筒体长度RL Drum length (mm)
		0.5	0.63	0.8	1.0	1.25	1.6	2.0	2.5	
$\phi 92$	0.25	20	17	14	11					420~1000
	0.37			19.5	16	13	10			
	0.55					19	15	12	10	
	0.75						20	16	13	
$\phi 100$	0.25		19	15	12					420~1000
	0.37			20	17	14	11			
	0.55					20	16	13	10	
$\phi 113$	0.25	26	21	16	13					420~1300
	0.37	36	30	24	19	15	12			
	0.55			35	28	23	18	14		
	0.75					30	24	19	16	
	1.1						35	28	23	
$\phi 138$	1.5							39	31	420~1500
	0.37	45	36	29	23	18.5	14.5	11.5	9.5	
	0.55			42	35	28	22	17	14	
	0.75			57	46	38	29	23	19	
	1.1			82	67	54	42	34	28	
	1.5			90	72	56	45	36	36	
$\phi 165$	2.2							90	72	470~1500
	0.55	84	67	53	42	34	26			
	0.75	115	91	72	57	46	36	29		
	1.1		133	105	84	67	52	42	33	
	1.5			144	115	92	72	57	46	
$\phi 216$	2.2		300	270	235	190	150	120	95	420~1500
	3				300	260	200	160	130	
	4					300	260	215	170	
	5.5							260	236	
$\phi 240$	2.2			325	260	205	160	130	105	590~1500
	3				350	280	220	175	140	
	4					375	290	235	188	
	5.5							325	260	

安装外形尺寸 Mounting External Size



注: 安装中心距 $A=L+2f+C$ 。带支座时, A为两支座中心距离; 不带支座时, A为两端轴铣扁的中心距离。
Notes: Mounting center distance $A=L+2f+C$. In case the motorized drum has bracket, A is the distance between two bracket center. In case it has no bracket, A is the distance between two symmetrical mounting tenons center, which are both shaft ends.

D	a	b	c	d	e	f	h	ds
$\phi 92$	-	-	20	25	20	7.5	-	-
$\phi 100$	-	-	25	30	20	7.5	-	-
$\phi 113$	-	-	25	30	20	7.5	-	-
$\phi 138$	-	-	25	30	20	13.5	-	-
$\phi 165$	-	-	43.5	40	30	21.5	-	-
	120	160	60	32	25	5	50	$\phi 15$
$\phi 216$	-	-	43.5	40	30	21.5	-	-
$\phi 240$	120	160	60	38	30	20	50	$\phi 15$

注: 尺寸根据客户需求定制
Notes: The size is customized according to customer requirements.

订货代号: JZD-II-4-2.0-1220-216 Order Symbol

型号 Type	功能代号 Function code	功率P Power (KW)	带速V Velocity of drum surface (m/s)	筒体长度L Drum length mm	筒径D Drum dia. (mm)	其他要求 Other requirements
JZD	I-带支座 Mounting brackets II-不带支座 No brackets	见表 See table	见表 See table	定制 Customization	见表 See table	胶面 Rubber surface 出线方式Round way 外观 Appearance

ZZD型永磁电动滚筒 (直流) ZZD Type permanent magnet motorized drum (DC)

直流永磁电动滚筒, 采用永磁外转子电机, 通过霍尔、编码器进行高精度速度反馈, 专用控制卡进行驱动, IO和通讯485\CAN智能控制。具有安全电压、超低噪音、无渗漏、免维护、效率高、频繁启停、宽转速范围、耐低温等特点, 广泛应用于各种模块化皮带机、分拣机、上包机和辊筒输送机等设备, 广泛应用于自动化控制、安检机、快递分拣等行业。

DC permanent magnet motorized drum, permanent magnet external rotor, high precision speed feedback through Hall and encoder, special control card for driving, IO and communication 485\CAN intelligent control. It has the characteristics of safe voltage, ultra-low noise, no leakage, maintenance free, high efficiency, frequent start and stop, wide speed range, low temperature resistance and so on. It is widely used in all kinds of modular belt machine, sorting machine, upper charter and roller conveyor and other equipment, widely used in automation control, security inspection machine, express sorting and other industries .



参数表 Parameter List

筒径D Drum dia (mm)	扭矩M Torque (Nm)		转速 (转/分) 对应输入功率P Input power of the rotational speed (RPM) (W)					电压U Voltage (V)	速度反馈 Speed induction	控制 Control	
	额定Rated	峰值Peak	30~100	120~180	200~300	300~450	450~600				600~800
Ø50	0.8	1.5				35	50	75	DC24 DC48	H霍尔 Hall M磁编 Magnetic encoder	IO CAN 485
	1.6	2.5				70	100	150			
	2.5	5	40	50	60	70	100				
Ø67	1	2				50	75	100	DC48	H霍尔 Hall M磁编 Magnetic encoder	IO CAN 485
	2	4				100	150	200			
	4	8				160	240	320			
Ø100	8	16				320	480	640	DC48	H霍尔 Hall M磁编 Magnetic encoder	IO CAN 485
	9	14			300	450	600				
Ø113	17	26			500	750	1100		DC48	H霍尔 Hall M磁编 Magnetic encoder	IO CAN 485
	15	23	150	250	450	670					
	30	45	300	550	900	1100	1500				

注: 尺寸根据客户需求定制

Notes: The size is customized according to customer requirements.

订货代号: ZZD-67-50-L60-300~750-48 Order Symbol

型号 Type	筒径D Drum dia (mm)	功率P Power (w)	筒体长度 Drum length (mm)	转速 Rotation speed (RPM)	电压 Voltage (V)	控制 Control	其他要求 Other requirements
ZZD	见表 See table	见表 See table	见表 See table	见表 See table	见表 See table	A:IO B:RS485	外观Appearance 出线方式Round way

DY-1型油浸式电动滚筒 DY-1 Type Oil-steeped motorized drum

DY-1型油浸式电动滚筒是为各类移动式带式输送机配套的驱动装置, 具有结构紧凑、自重轻, 使用安全可靠等优点。

DY-1 type oil-steeped motorized drum is a driving device for various portable conveyers. It has compact structure, light weight, safety and operation reliability.

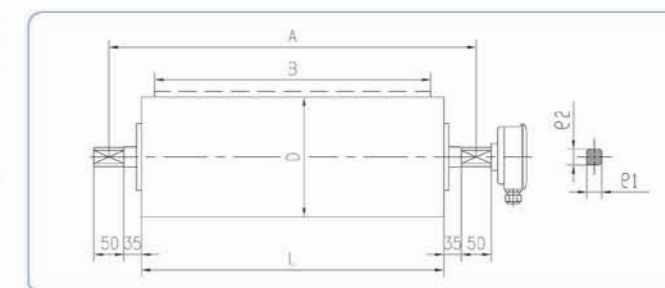


参数表 Parameter List

筒径D Drum dia (mm)	功率P Power P KW	带宽B Belt Width B mm	滚筒表面线速度V Velocity of drum surface V m/s					质量M Mass M kg	
			0.63	0.8	0.8	1.25	1.6		2.0
Ø240	1.1/1.5/2.2	400	√	√	√	√	√	√	70/74/75
		500	√	√	√	√	√	√	76/80/81
		650	√	√	√	√	√	√	86/90/91
	3	500	√	√	√	√	√	√	81
Ø320	2.2/3/4/5.5	650	√	√	√	√	√	√	91
		500	√	√	√	√	√	√	130/132/148/153
Ø400	3/4/5.5	650	√	√	√	√	√	√	141/144/158/163
		500		√	√	√	√	√	152/166/171
	7.5	650/800		√	√	√	√	√	170/183/188
					√	√	√	190/210	

安装外形尺寸 Mounting External Size

D	B	L	A	e1	e2
Ø240	400	460	580	30d9	32
	500	560	680		
Ø320	650	730	850	38d9	39
	500	560	680		
Ø400	650	730	850	38d9	39
	800	880	1000		



注: 尺寸根据客户需求定制

Notes: The size is customized according to customer requirements.

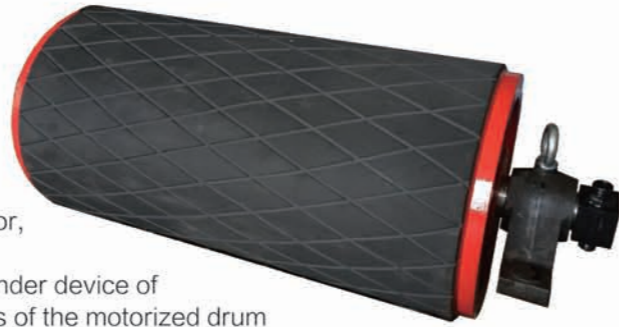
订货代号: DY1-2.2-1.6-500-240 Order Symbol

型号 Type	附加功能 Additional features	功率P Power (KW)	带速V Velocity of drum surface (m/s)	带宽B Belt width (mm)	筒径D Drum dia. (mm)	其他要求 Other requirements
DY1	N-逆止器 Backstop	见表 See table	见表 See table	见表 See table	见表 See table	胶面Rubber surface 旋转方向 Direction of rotation 外观 Appearance

YDM型液压驱动滚筒 YDM Type Hydraulic Drive drum

在工程机车皮带机、机场行李转载车、转载皮带机、扒渣机等由内燃机提供液动力源的地方，缺少电力，液压滚筒成为首选设备。YDM型液压驱动滚筒是本公司在电动滚筒基础上开发的重点新型产品，是液压马达、行星减速器、传动滚筒合为一体的传动装置，现已广泛应用于带式输送机。

Such as engineering locomotive belt conveyor, airport luggage carrier vehicle pass, pass load belt conveyor, hydraulic slag and other, powered hydraulic power source provided by an internal combustion engine, a hydraulic cylinder device of choice. YDM hydraulic cylinder is the company on the basis of the motorized drum focus on new product development, hydraulic motors, planetary reducer, driving drum as one of the drives, now widely used in belt conveyor.

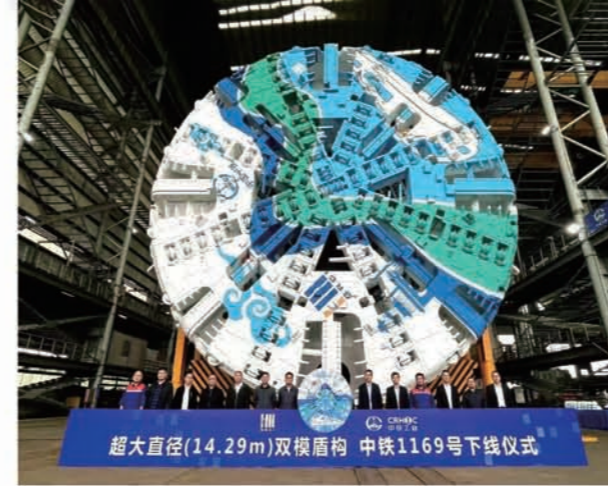


- 液压滚筒输出扭矩与液压系统提供的压力成正比。液压滚筒的压差不得超过标定值。
 - 液压滚筒连续使用时速度只能小于额定速度，不得大于额定速度。
 - 一般液压滚筒的出油口与油箱直接连通。液压滚筒与其他液压设备可串联或并联使用。串联或并联使用时背压超过5MPa，液压滚筒的外泄油口需与油箱直接连通。
- a. Pressure hydraulic cylinders and hydraulic system provides output torque is proportional. Hydraulic cylinder pressure shall not exceed the calibration value.
- b. The speed of the hydraulic drum can be used continuously for less than rated speed shall not be greater than the rated speed.
- c. The oil outlet of the hydraulic drum is directly connected with the fuel tank. The hydraulic drum can be used in series or parallel with other hydraulic equipment. When the back pressure exceeds 5Mpa in series or parallel connection, the outlet of the hydraulic drum shall be directly connected with the fuel tank.

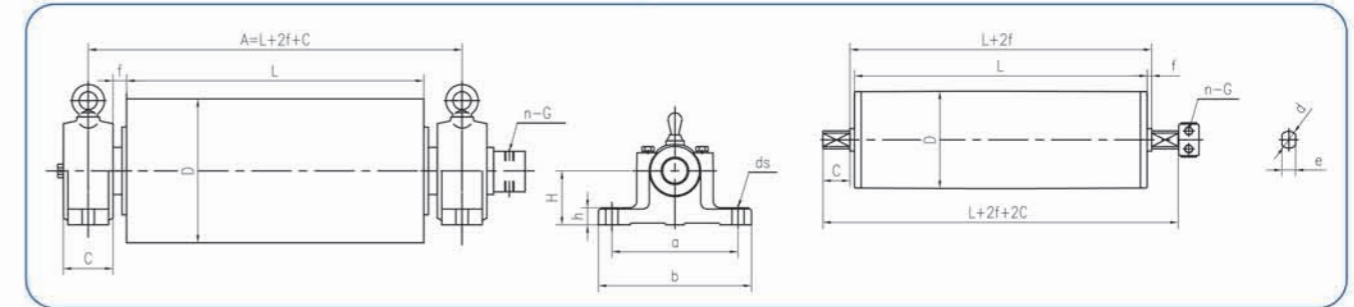
参数表 Parameter List

筒径D Drum dia (mm)	额定流量 Rated Flow L/min	额定压力 Rated Pressure MPa	带速V Belt Speed V m/s	相当功率 P Comparative Power Min. P kW	最小筒长 Lmin mm	液压接头 Tie-in
∅110	15	8	0.32~0.8	1.1~2.2	360	M14x1.5
∅165	20	8	0.8~1.6	1.1~2.2	650	
∅216	20	10	0.13~2.0	1.5~3	450	M18x1.5
∅240	20	10	0.16~2.0	1.5~3	450	
∅270	20	4	0.05~0.63	0.75~1.5	480	M14x1.5
∅320	40	10	1.0~2.5	4~5.5	600	
	55	12	0.5~2.5	7.5~9		
∅400	60	14	0.63~2.5	9~11	700	M27x2
	80	14	0.8~2.5	7.5~11		
	100	12	1.6~2.5	15~17		
∅500	100	10	0.5~2.5	7.5~11	700	M27x2
	125	10	1.0~2.5	15~17		
	125	16	1.0~3.15	18.5~22		790
150	18	1.0~2.5	30~37	890		
∅630	100	10	0.63~3.15	7.5~11	700	M27x2
	125	10	1.25~3.15	15~17		
	125	16	1.25~4	18.5~22		790
150	18	1.25~3.15	30~37	890		

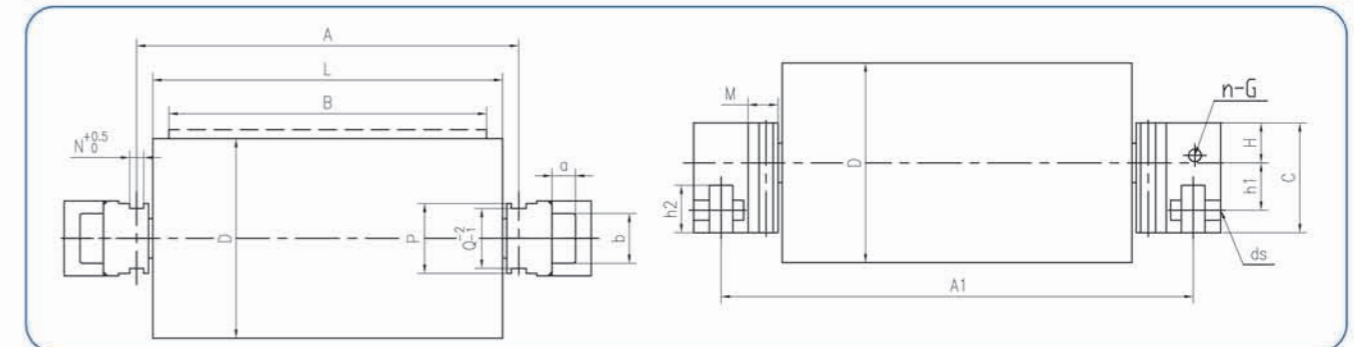
注：请与本公司具体联系，以便提供详细参数。
Notes: Please contact us for provide detailed parameter.



安装外形尺寸
Mounting External Size



D	a	b	C	d	e	f	h	H	ds	n-G
∅110	-	-	25	25	20	10	-	-	-	2-M14X1.5
∅165	-	-	25	40	30	10	-	-	-	2-M14X1.5
∅216	-	-	60	40	30	10	-	-	-	2-M18X1.5
∅240	120	160	60	-	-	15	35	50	2-∅15	2-M14X1.5
∅270	-	-	45	55	40	20	-	-	-	2-M14X1.5
	210	260	60	-	-	15	35	95	2-∅19	2-M18X1.5
∅320	-	-	100	100	75	20	-	-	-	2-M22X1.5
	210	260	60	-	-	15	35	95	2-∅19	2-M18X1.5
∅400	280	340	110	-	-	20	35	120	2-∅27	2-M22X1.5
	280	340	120	-	-	20	35	120	2-∅27	2-M33X2
∅500	280	340	120	-	-	20	35	120	2-∅27	2-M33X2
∅630	280	340	120	-	-	20	35	120	2-∅27	2-M33X2



D	B	L	A	A1	H	C	M	N	Q	P	a	b	h1	h2	ds	n-G
∅400	650	700	745	925	80	220	60	30	120	140	47	100	95	95	∅40	2-G3/4"
∅500	650	710	755	915	80	220	60	30	120	140	47	100	95	95	∅40	2-G1"
		790	855	1015	80	220	60	30	120	140	47	100	95	95	∅40	2-G3/4"
∅630	800	890	955	1115	80	220	60	30	120	140	47	100	95	95	∅40	2-G1"

注：尺寸根据客户需求定制
Notes: The size is customized according to customer requirements.

订货代号: YDM-15-2.5-650-500 Order Symbol

型号 Type	相当功率 P Comparative Power P KW	带速 V Velocity of drum surface (m/s)	筒长 L Drum length L mm	筒径 D Drum dia. (mm)	其他要求 Other requirements
YDM	见表 See table	见表 See table	定制 Customization	见表 See table	胶面 Rubber surface 外观 Appearance

工程应用

品质行于 The Good Quality Walks

天下 The Word



www.hzdt.com.cn